

Orona 3G

1020

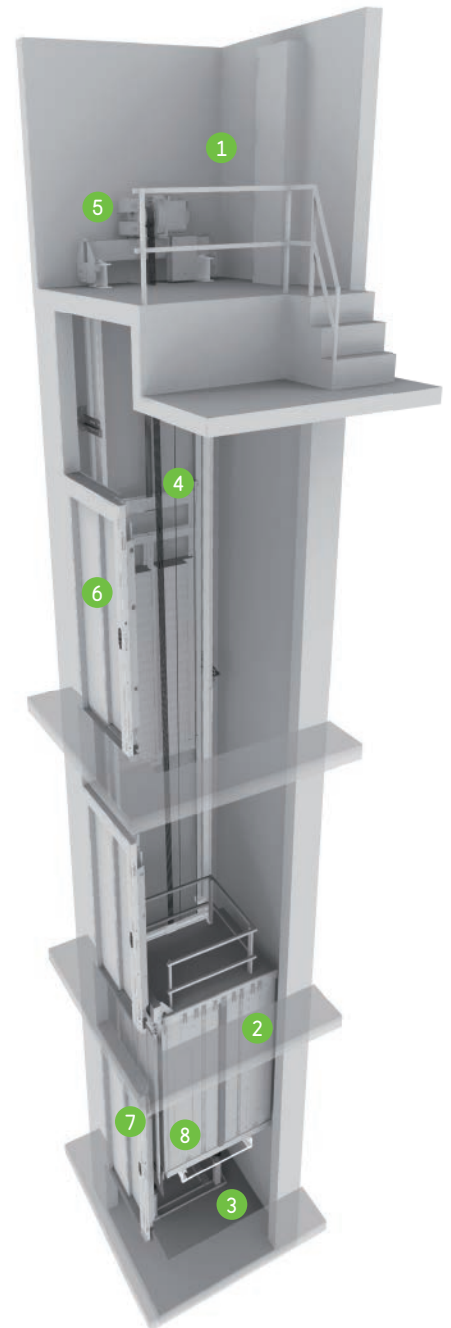
Machine-room above electrical gearless solutions

With the latest direct drive (gearless) technology.
The base solution with machine-room and latest technology.

General specifications

Load	320 - 450 - 630 kg
Capacity	4 - 6 - 8 persons
Speed	1 m/s
Maximum travel	40 m
Maximum floors served	16 floors
Entrances	1 front / 2 open through / 2 front & side
Drive system	Direct gearless
Controller	ARCA III controller, low energy consumption multiprocessor
Door types	Automatic side-opening / Automatic central-opening
Clear door opening	700 / 800 / 900 mm
Door height	2,000 / 2,100 mm
Car dimensions	Standard car dimensions
Internal car height	2,100 / 2,200 mm
Aesthetic solutions	Domo Reference Packs Domo Selection Packs / Domo Plus

Standard Optional



1 MACHINE-ROOM

A traditional solution simplifying lift maintenance.



2 OPTIMISED PASSENGER UNIT

Saves space, reduces weight, improves safety, and improves the installation process.



3 ACCESSIBLE SPACE BELOW THE PIT

Adapts the lift to suit buildings which have an accessible space below the pit (optional).



4 TRACTION ROPES

Orona small diameter ropes replace traditional steel ropes. As a result of their lighter weight, longer lifespan and greater flexibility, it is possible to use a more compact, efficient and eco-friendly gearless machine.



5 DRIVE

Compact, quiet, gearless, energy efficient, speed regulated (VVVF) permanent magnet electric motor.



6 DOORS

Compact permanent magnet motor for fast, accurate and quiet door operation giving the most advanced performance. Advanced door opening and full height infra red door protection edges.



7 AUTOMATIC RESCUE SYSTEM

With floor level indication to ensure fast, efficient and safe evacuation of passengers in the event of an emergency. As an option, the system can incorporate a fully-automatic rescue device to evacuate passengers in the event of a power failure.



8 TWO-WAY COMMUNICATIONS

Between the lift and the emergency 24-hour Service Call Centre according to EN 81-28.



Standard dimensions*

Load / Capacity		Car			Lift shaft ⁰							
Persons	Q Load	AC Width	FC Depth	PL Clear opening	Entrances		Side-opening doors		Central-opening doors		HF Pit	HUP Headroom
					Accessibility	No. of entrances	AH ¹ Width	FH ² Depth	AH Width	FH ³ Depth		
4	320 kg	825	1,100	700		1	1,325	1,350	1,600	1,300	1,000 (850) ⁴	3,400
						2 x 180 ⁰		1,500		1,400		
						2 x 90 ⁰	1,450	1,350				
6	450 kg	1,000	1,250	800	♿	1	1,500	1,500	1,800	1,450	1,000 (850) ⁴	3,400 (3,000) ⁵
						2 x 180 ⁰		1,650		1,550		
						2 x 90 ⁰	1,625	1,500				
8	630 kg	1,100	1,400	900	♿	1	1,600	1,650	2,000	1,600	1,000 (850) ⁴	3,400 (3,000) ⁵
						2 x 180 ⁰		1,800		1,700		
						2 x 90 ⁰	1,725	1,650				
	1,200	1,250	900	♿	1	1,700	1,500	2,000	1,450	1,000 (850) ⁴	3,400	
					2 x 180 ⁰		1,650		1,550			
					2 x 90 ⁰	1,825	1,575					

0 Minimum plumb measurements

1 Accessible space below the pit (counterweight with safety gear) add 50 mm to AH

2 Shaft depth with door tracks projecting 60 mm on the landing

3 Shaft depth with door tracks projecting 40 mm on the landing

4 HF reduced pit optional 850 mm

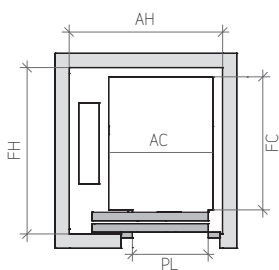
5 Minimum HUP for internal car height (HC) of 2,100 mm

HUP reduced headroom optional only for 6 and 8 persons

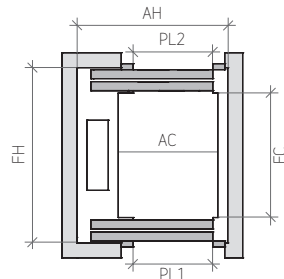
*The information is not contractually binding and is subject to the conditions of the shaft

Layout

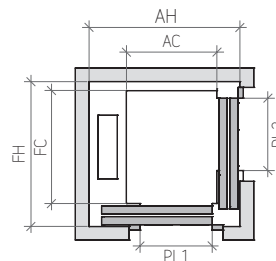
1 ENTRANCE



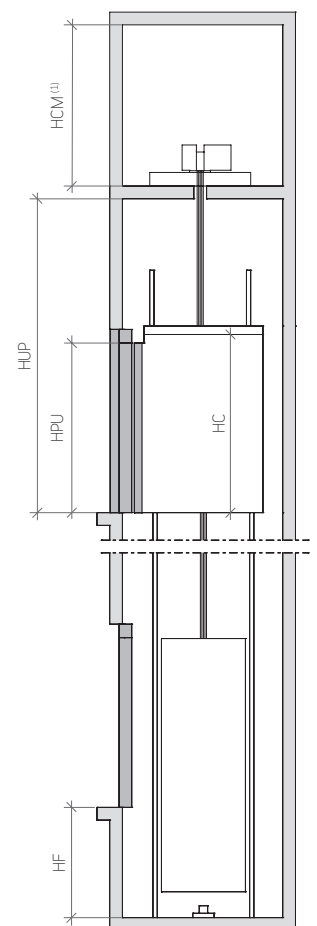
2 ENTRANCES (OPEN THROUGH)



2 ENTRANCES (FRONT & SIDE)



VERTICAL SECTION



(1) HCM - minimum 2,000 mm